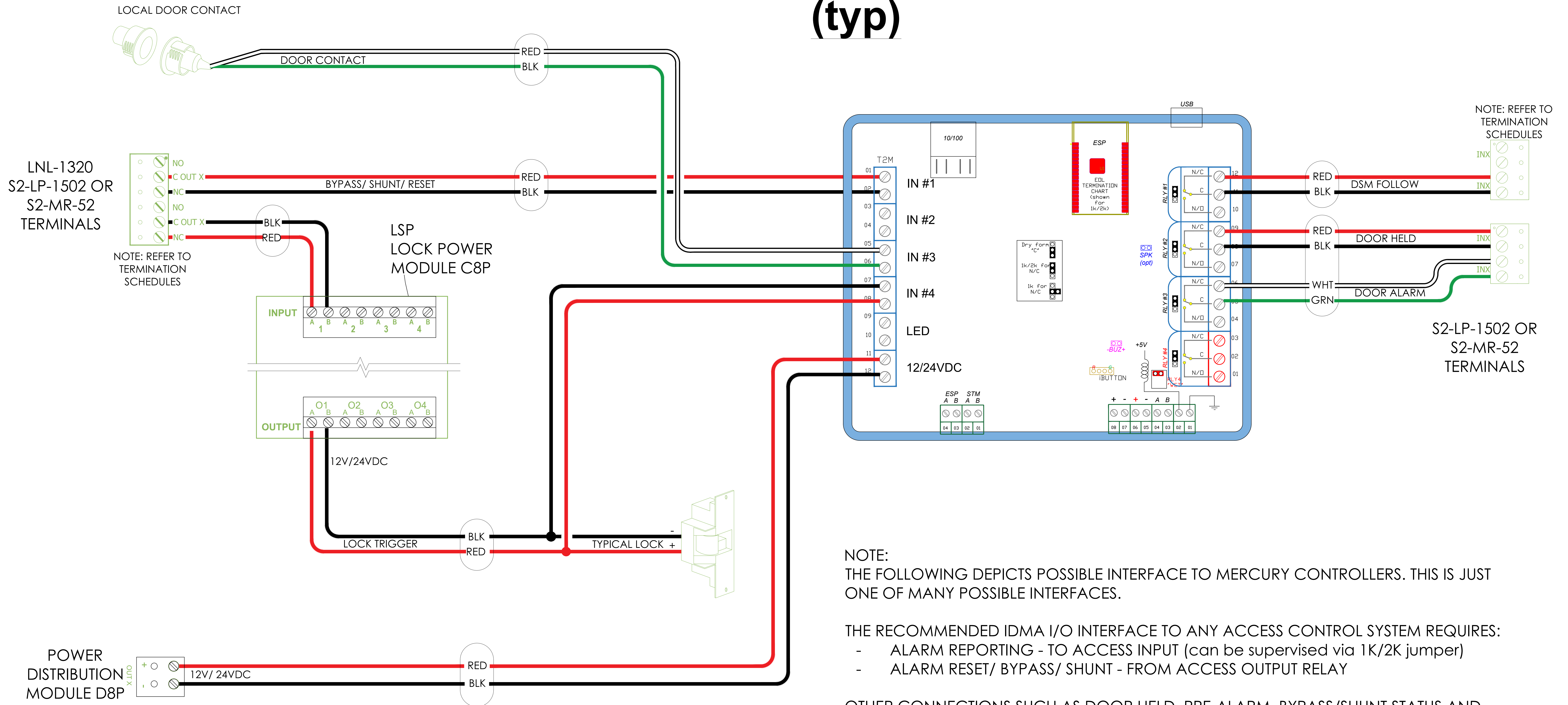


IDMA 2101 - MERCURY (typ)



NOTE: REFER TO TERMINATION SCHEDULES

S2-LP-1502 OR S2-MR-52 TERMINALS

NOTE:
THE FOLLOWING DEPICTS POSSIBLE INTERFACE TO MERCURY CONTROLLERS. THIS IS JUST ONE OF MANY POSSIBLE INTERFACES.

- THE RECOMMENDED IDMA I/O INTERFACE TO ANY ACCESS CONTROL SYSTEM REQUIRES:
- ALARM REPORTING - TO ACCESS INPUT (can be supervised via 1K/2K jumper)
 - ALARM RESET/ BYPASS/ SHUNT - FROM ACCESS OUTPUT RELAY

OTHER CONNECTIONS SUCH AS DOOR HELD, PRE-ALARM, BYPASS/SHUNT STATUS AND OTHERS ARE POSSIBLE VIA CONNECTION TO ACCESS CONTROL INPUT. ADDITIONALLY, THE IDMA CAN PROVIDE "DOOR STATUS MIMIC" TO THE ACCESS CONTROL, NEGATING THE NEED TO ADD SECONDARY DOOR CONTACT.

